

# 2016

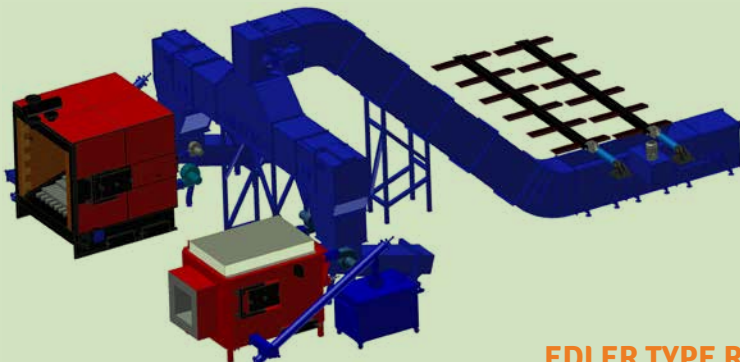
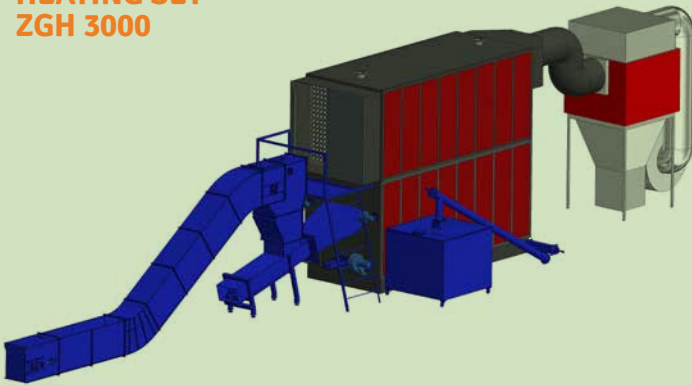


Technology with the thought about You

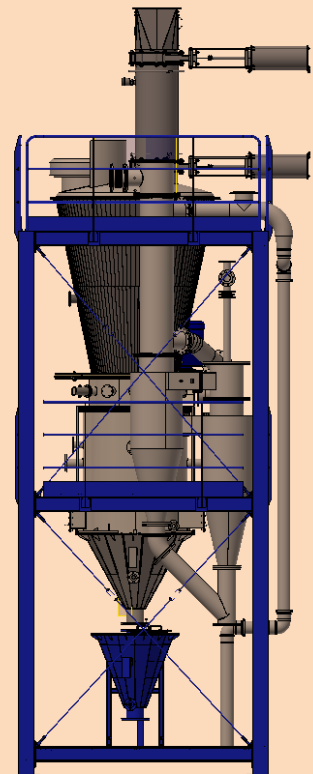
■ BOILER-ROOMS ■ DRYING KILNS ■ STEAMING KILNS ■ BIOMASS GASIFIRE



**HEATING SET  
ZGH 3000**

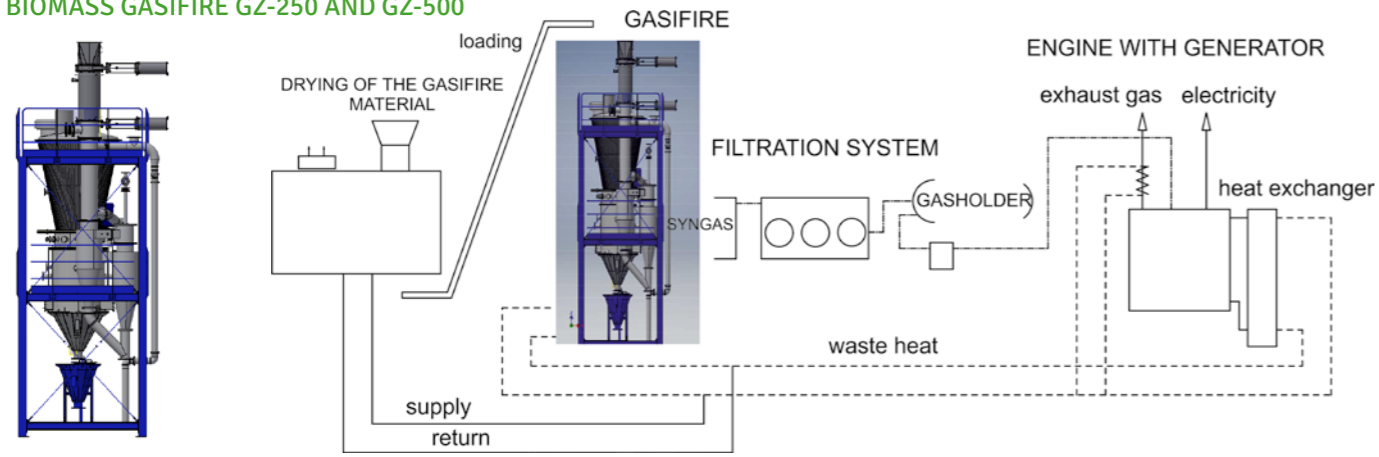


**EDLER TYPE RAK  
WITH HYBRID COMBUSTION SET (AZSD/PT/1000 AND  
KWH/PT/1000)**



**BIOMASS GASIFIRE**

**BIOMASS GASIFIRE GZ-250 AND GZ-500**



**HEATING SET HAJNOWKA ZGH**  
Rated thermal power from 300 to 2000 kW



**ROUNDING MACHINE DF-140 AND DF-240**



**WOOD WASTE CONTAINER - SILO ZOD**  
Capacity from 120 m³ to 340 m³



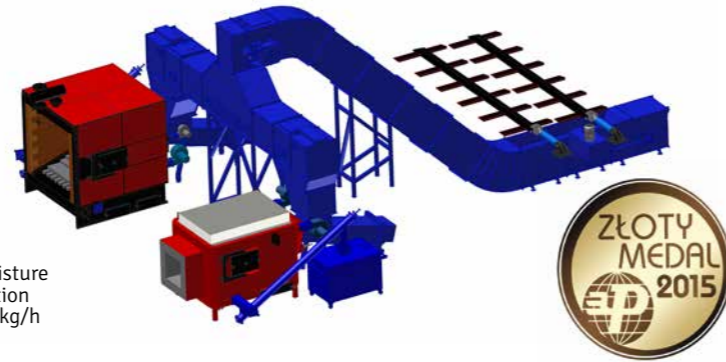
**HEATING SET ZGH-3000**  
Rated thermal power 3000 kW



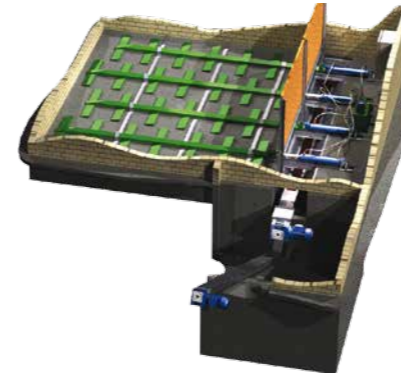
**REDLER TYPE RAK WITH HYBRID COMBUSTION SET (AZSD/PT/1000 AND KWH/PT/1000)**  
Heating power of set 2x1000 kW

**NEW**

FUEL:  
mix of bark,  
sawdust  
and production  
chunk wood with  
granulation of:  
50mm x 30mm x  
300mm, max. moisture  
of 50% consumption  
up to approx. 800kg/h  
(Wu=10 kJ/kg)



**HYDRAULIC FUEL SELECTOR HWP**

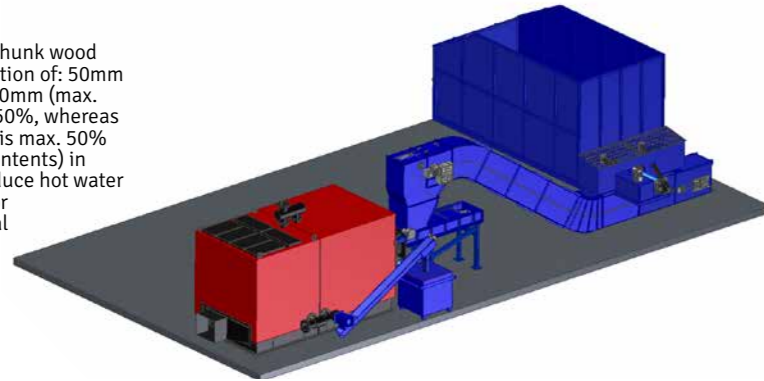


**CONTAINER FUEL SELECTOR KWP**



**COMBUSTION UNIT WITH HYDRAULIC FEEDING WITH REDLER**  
Heating power of set from 600 to 2000 kW

Production chunk wood  
with granulation of: 50mm  
x 30mm x 300mm (max.  
moisture of 50%, whereas  
chunk wood is max. 50%  
of the mix contents) in  
order to produce hot water  
for heating or  
technological  
purposes.



**WATER BOILER WITH DOUBLE COMBUSTION CHAMBER KWP**  
Rated thermal power from 180 to 1200 kW

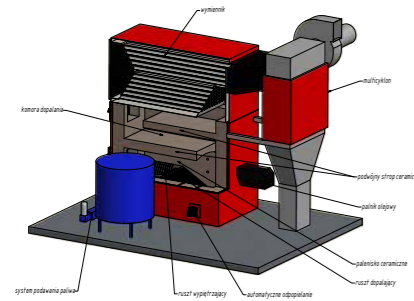


**LARGE-SIZE DRYING KILNS SK FROM SK- 74 TO SK 410**



SK type kilns are free standing chamber drying kilns of modular construction enabling the chambers to be assembled in a row. Individual requirements of the customer can be met thanks to chambers' modular construction and also the manufacturer's flexibility.

**HEATING SET ZGH PLUS FOR COMBUSTION OF WOOD-BASED MDF AND HDF BOARDS**  
Rated thermal power from 300 to 2000 kW



**WATER BOILERS HAJNOWKA KWH**  
Boiler rated heating power from 55 to 2000 kW



**AUTOMATED WOODWASTE COMBUSTION UNIT AZSD**  
Rated thermal power from 50 to 1000 kW



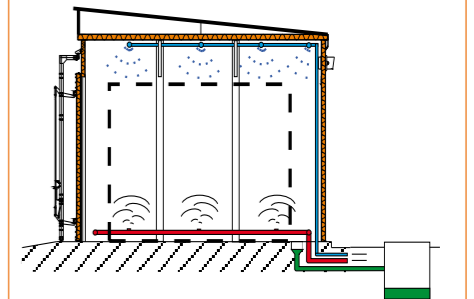
**HIGH-TEMPERATURE STEAMING KILN PW**



**CHAMBER-TYPE KILNS**



**STEAMING KILNS PK**





**ZM Hamech Ltd. was established in 1952.  
The company is a leading manufacturer of combustion  
systems, storage and transportation of biomass and  
biomass gasification.**

**Now employs over 180 people.  
The company has a production and warehouse area  
of 20 000 m<sup>2</sup>.**

**It has implemented Quality Management Systems such  
as ISO 9001:2008 and certificate of Factory Production  
Control, which confirms the quality of the welding of  
steel structures in accordance with EN 1090-2.  
All products from sales offer are produced in  
ZM Hamech Ltd.**

**They are also covered by the manufacturer's warranty.**



**ZAKŁADY MASZYNOWE HAMECH Sp. z o.o.**

ul. Armii Krajowej 3, 17-200 Hajnówka

+48 85 873 52 12, +48 607 429 421

marketing@hamech.pl • www.hamech.eu